



TECHNICAL SPECIFICATIONS

SNAP DRILL

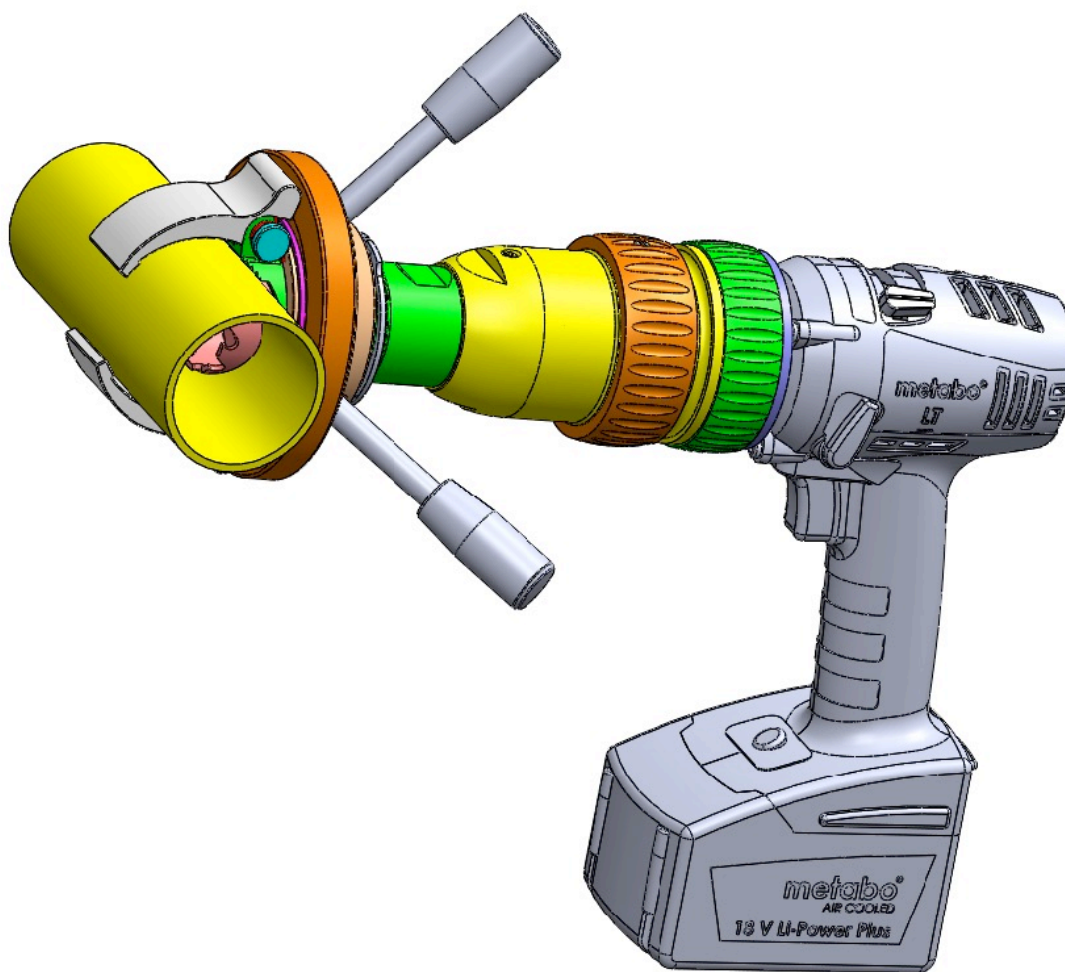


TABLE OF CONTENTS

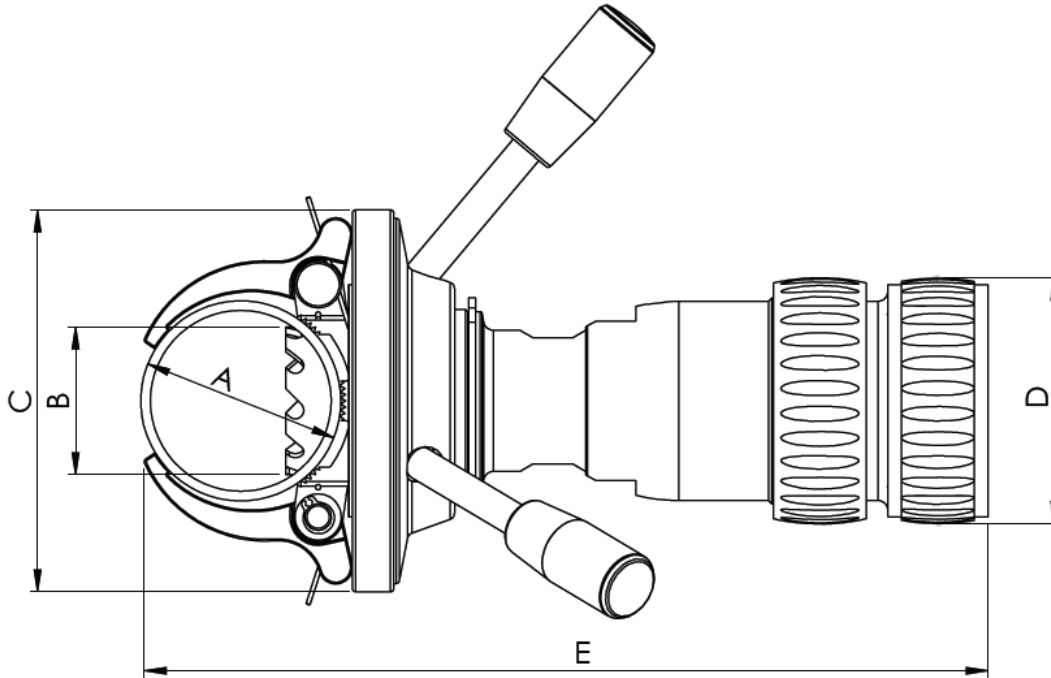
1. Description
2. Dimensions and weight
3. Hole cutters
4. Safety
5. Instructions for use
6. Changing of hole cutter
7. List of spare parts
8. Declaration of Conformity



1 Description

The Snapdrill connects to a standard battery drill, and is a new patented tool for safe and efficient hole cutting in pipes. The tools cover pipes with an external diameter of $\varnothing 42,4$ up to and included $\varnothing 168,3$ mm, and drill holes from $\varnothing 24$ up to and included $\varnothing 63,5$ mm

2 Dimensions and weight



Snapdrill	SD42,4/48,3	SD60,3	SD76,1	SD88,9	SD114,3	SD168,3
Tube $\varnothing A$ (mm)	42,4 and 48,3	60,3	76,1	88,9	114,3	168,3
Diameter $\varnothing C$ (mm)	95	114	124	124	139	139
Diameter $\varnothing D$ (mm)	74	74	74	74	74	74
Length E (mm)	239,5	257	270	285	301	349,5
Weight (kg)	2,4	2,85	3,2	3,34	4,1	4,4

3 Hole cutters

SD42,4/48,3 (42,4)

Hole cutter part no	HS24S ¹⁾	HS30S ¹⁾
Hole cutter diameter \varnothing B (mm)	24	30
Tube diameter \varnothing42.4mm		
Maximum wall thickness of tube (mm)	6.2	3.6

SD42,4/48,3 (48,3)

Hole cutter part no	HS24S ¹⁾	HS30S ¹⁾
Hole cutter diameter \varnothing B (mm)	24	30
Tube diameter \varnothing48.3mm		
Maximum wall thickness of tube (mm)	7	4.8

SD60,3

Hole cutter part no	HS24L	HS30L	HS38L	HS44L
Hole cutter diameter \varnothing B (mm)	24	30	38,1	44,5
Maximum wall thickness of tube (mm)	11.3	9.2	6.1	3.5

SD76,1

Hole cutter part no	HS24L	HS30L	HS38L	HS44L	HS50L
Hole cutter diameter \varnothing B (mm)	24	30	38,1	44,5	50,8
Maximum wall thickness of tube (mm)	13	11.4	8.9	6.7	4.4

SD88,9

Hole cutter part no	HS24L	HS30L	HS38L	HS44L	HS50L
Hole cutter diameter \varnothing B (mm)	24	30	38,1	44,5	50,8
Maximum wall thickness of tube (mm)	11.8	10.6	8.6	6.8	4.9

SD114,3

Hole cutter part no	HS24L	HS30L	HS38L	HS44L	HS50L	HS63L
Hole cutter diameter \varnothing B (mm)	24	30	38,1	44,5	50,8	63,5
Maximum wall thickness of tube (mm)	14.4	13.5	11.9	10.5	8.9	5.3

SD168,3

Hole cutter part no	HS24L	HS30L	HS38L	HS44L	HS50L	HS63L
Hole cutter diameter \varnothing B (mm)	24	30	38,1	44,5	50,8	63,5
Maximum wall thickness of tube (mm)	13.1	12.5	11.6	10.7	9.7	7.3

1) Note that for cutter \varnothing 24 and \varnothing 30 there is a short (S) and a long (L) version.

4 Safety

1. Check HSE rules and regulations
2. Make inspection of tool before starting
3. Emphasize the clamping danger
4. Supply data sheets of the tube



It is recommended to wear protective footwear, goggles, hard hat, hearing protection and gloves to handle metal chips.

5 Instructions for use

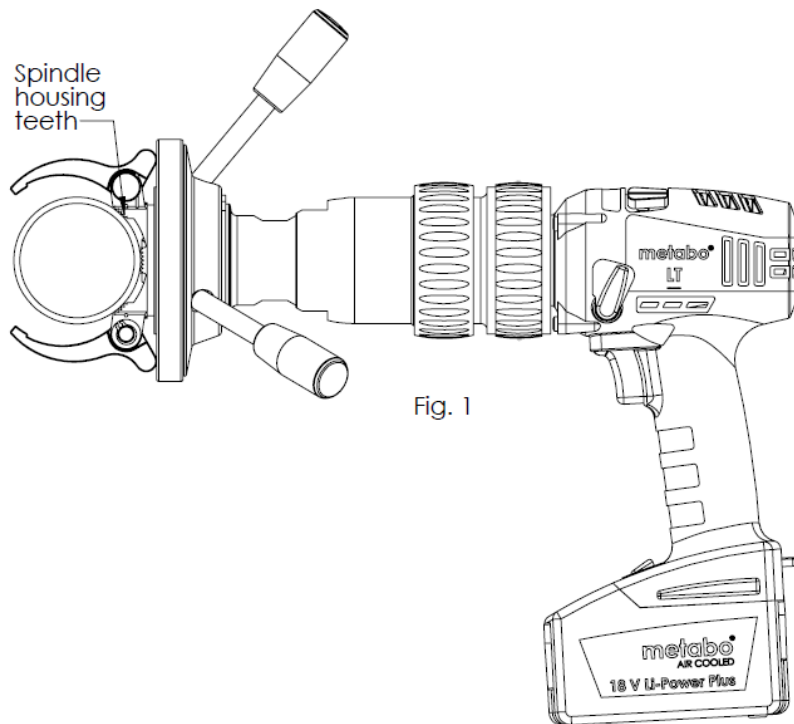


Fig. 1

1. Referring to fig. 1, place the teeth in the spindle housing against the tube where to drill the hole.

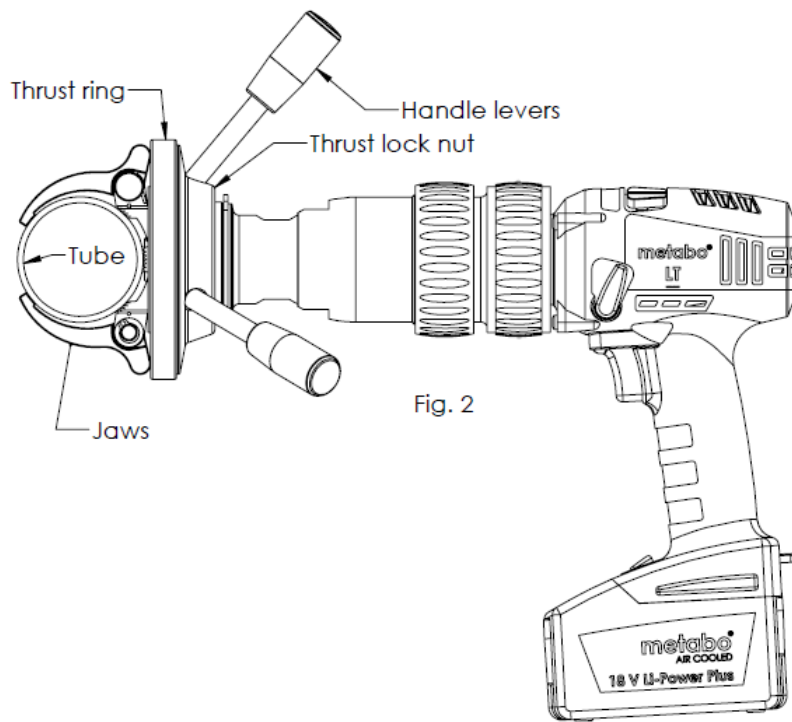


Fig. 2

- Referring to fig. 2, fasten the snap drill to the tube by tightening the jaws against the tube by rotating the thrust lock nut clockwise against the thrust ring by the help of the handle levers. Use both hands for final tightening.

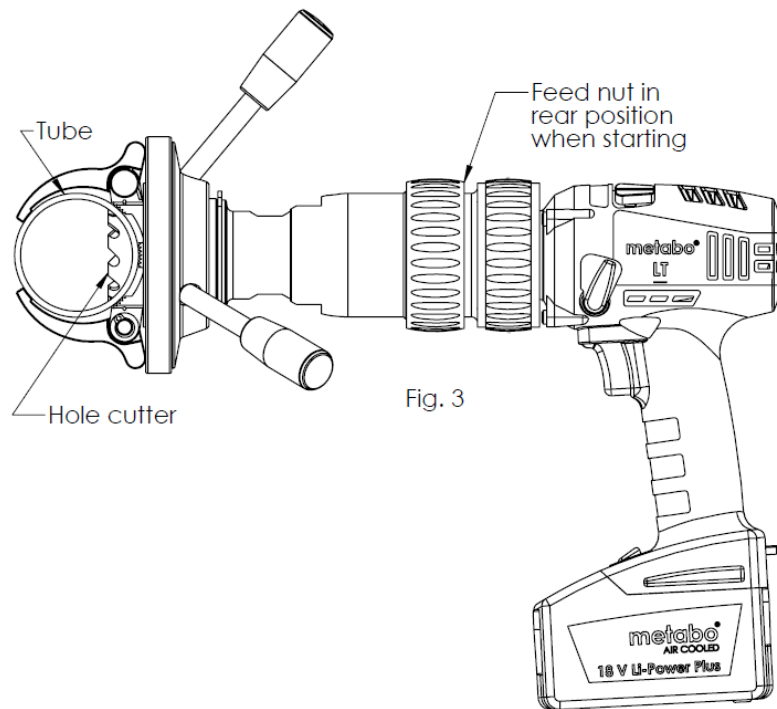
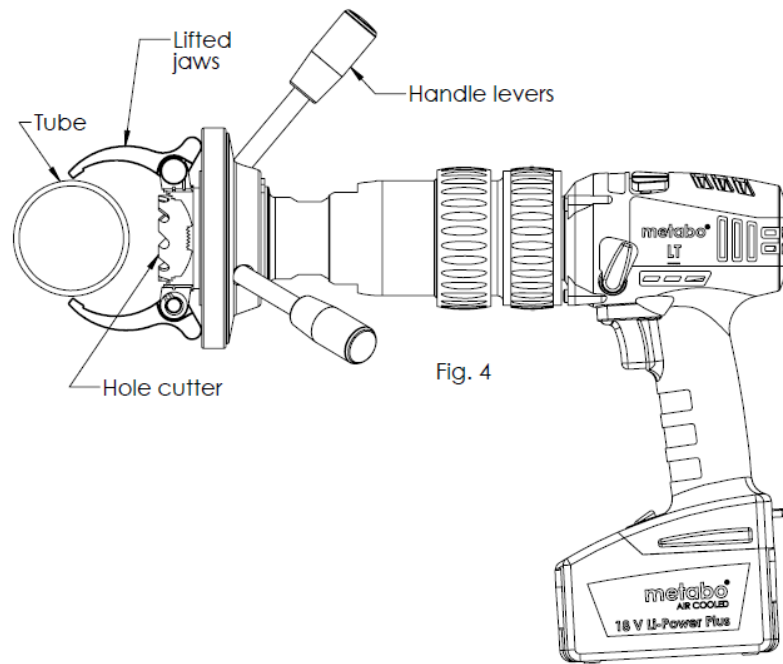
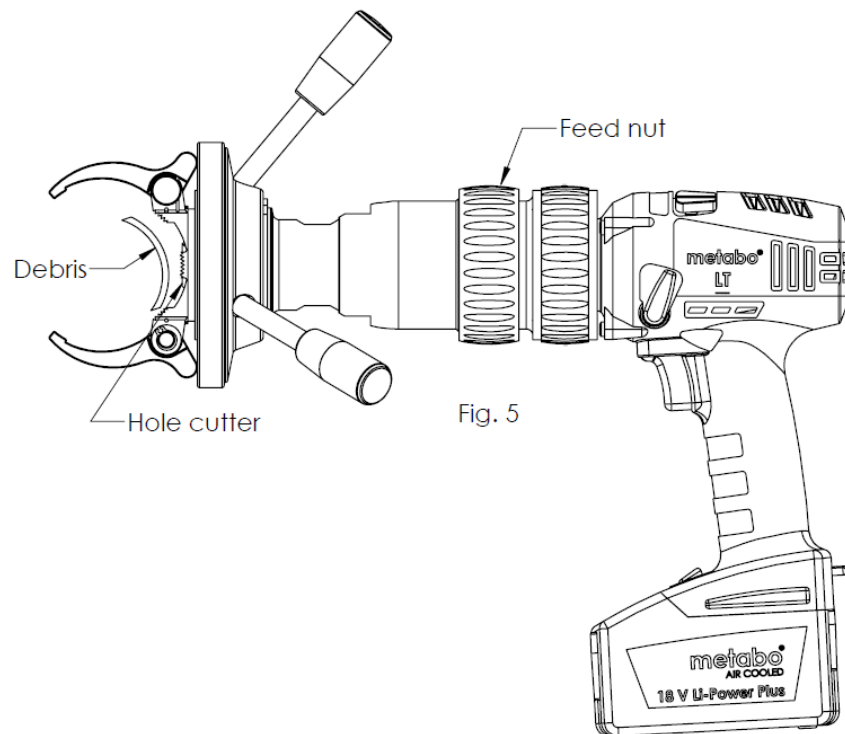


Fig. 3

- Referring to fig. 3, check that the feed nut is in the rear position before start. Lubrication directly in the hole saw ahead of drilling is recommended. Use the battery drills "drilling mode" (drill symbol) on the torque switch. Use battery drill gear stage 1. Start the battery drill clockwise pushing the button fully down to achieve full torque. Gently rotate the feed nut outwards to engage the clutch. The hole cutter will now move outwards and cut the hole in the tube. Drill continuously, until the hole saw is fully through the pipe.

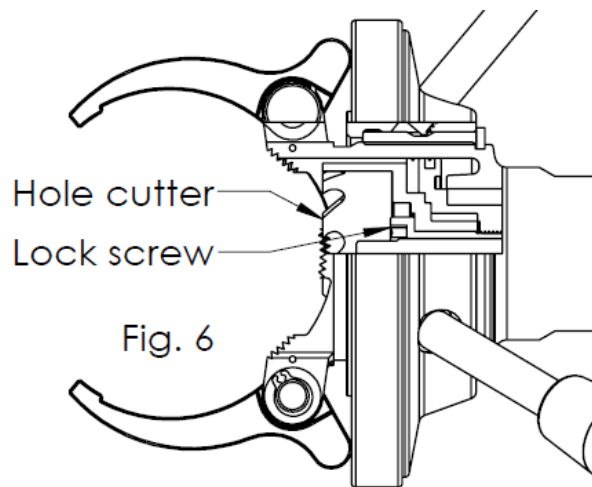


- Referring to fig. 4, loosen the jaws by rotating the thrust lock nut anticlockwise. The torsion springs will lift up the jaws thus enable the snap drill to be pulled free.



- Referring to fig. 5, get rid of the debris by rotating the drill anticlockwise and gently rotate the feed nut outwards to engage the clutch. The hole cutter will now move backwards pushing the debris against the hexagon drive shaft thus throwing it free from the hole cutter.

6 Changing of hole cutter



1. Referring to fig. 6, screw out lock screw and remove the hole cutter.
2. Thoroughly clean all visible parts. Using air pressure to clean is not recommended. Insert the new hole cutter.
3. It is important that the battery drill is set to gear stage 1. Fasten the hole cutter with the custom socket and flex handle.
4. The table below gives the hole cutter part number and its size that fit for each SnapDrill. Note that for cutter $\varnothing 24$ and $\varnothing 30$ there is a short (S) and a long (L) version.

SnapDrill part number and pipe size (mm)	SD42,4/48,3- $\varnothing 42,4$ and $\varnothing 48,3$	SD60,3 $\varnothing 60,3$	SD76,1 $\varnothing 76,1$	SD88,9 $\varnothing 88,9$	SD114,3 $\varnothing 114,3$	SD168,3 $\varnothing 168,3$
Hole cutter part number and cutter size (mm)	SD030S - $\varnothing 30$ SD024S - $\varnothing 24$	SD046L - $\varnothing 46$ SD044L - $\varnothing 44,5$ SD038L - $\varnothing 38,1$ SD030L - $\varnothing 30$ SD024L - $\varnothing 24$	SD050L - $\varnothing 50,8$ SD046L - $\varnothing 46$ SD044L - $\varnothing 44,5$ SD038L - $\varnothing 38,1$ SD030L - $\varnothing 30$ SD024L - $\varnothing 24$	SD050L - $\varnothing 50,8$ SD046L - $\varnothing 46$ SD044L - $\varnothing 44,5$ SD038L - $\varnothing 38,1$ SD030L - $\varnothing 30$ SD024L - $\varnothing 24$	SD063L - $\varnothing 63,5$ SD050L - $\varnothing 50,8$ SD046L - $\varnothing 46$ SD044L - $\varnothing 44,5$ SD038L - $\varnothing 38,1$ SD030L - $\varnothing 30$ SD024L - $\varnothing 24$	SD063L - $\varnothing 63,5$ SD050L - $\varnothing 50,8$ SD046L - $\varnothing 46$ SD044L - $\varnothing 44,5$ SD038L - $\varnothing 38,1$ SD030L - $\varnothing 30$ SD024L - $\varnothing 24$

7 List of spare parts

Name	Description
42,4/48,3-JAW	Replacement jaw (2) for SD42,4/48,3 with brass bolt and spring (2) and circlip (2)
60,3-JAW	Replacement jaw (2) for SD60,3 with brass bolt and spring (2) and circlip (2)
76,1-JAW	Replacement jaw (2) for SD76,1 with brass bolt and spring (2) and circlip (2)
88,9-JAW	Replacement jaw (2) for SD88,9 with brass bolt and spring (2) and circlip (2)
114,3-JAW	Replacement jaw (2) for SD114,3 with brass bolt and spring (2) and circlip (2)
168,3-JAW	Replacement jaw (2) for SD168,3 with brass bolt and spring (2) and circlip (2)
M8-Handles	Replacement handles (3) for SD42,4/48,3 up to SD76,1 with locking-washers (6)
M10-Handles	Replacement handles (3) for SD88,9 up to SD168,3 with locking-washers (6)
Level Bubble	Replacement level bubble
Level Bracket	Replacement 3-position level bracket (with level bubble)
SD-Bolt	Hex bolt for hole saw fastening
SD-Flex handle	Flex handle for hex nut
SD-Socket	Hex socket for fastening of SD-Bolt

